

Special points of interest:

- New Control 9™ Launched
- Pragmatic Goes Green
- PHA Series: 4, 8, 16, 25, & 48
- Powerful and Efficient 48 Watt In-Wall Amplifier

New Control 9™ for Commercial and Residential Control Applications

A great new innovation has been added to Pragmatic's line of products: the Control 9™, an Octal Serial Port Hub for industrial and residential control applications. Control 9™ provides eight downstream asynchronous serial ports from one upstream USB host port, or one upstream serial port.

Control 9™ is a generic communication and control device that allows a PC Host to connect to many serial devices using either its USB port or one of its serial COM ports. Control 9™ has two upstream ports of which one is connected to the Host PC. It also contains 8 downstream ports that are jumper configurable for RS-232, RS-485, or 5V TTL operation. The downstream ports are used for communication to devices that are to be controlled. In the RS-485 mode, Control 9™ can control as many as 256 intelligent nodes (rooms or zones) from one

USB port on the PC. The host interface can be a Windows™, Linux™ or MAC® based computer.

Control 9™ contains a local processor to handle the USB and serial communication and control functions. The Host PC uses a set of in-band commands to control the communications and to send or to receive data from each device. The local processor can also be configured to intelligently and independently handle the downstream communication protocols and periodic events like polling or checking the status of down-

stream devices. This removes the low-level communication overhead from the Host PC.

The controlled devices can be audio/video systems, fire/smoke detectors and sensors, alarms systems, lighting and window shade controls, HVAC equipment, air dampers, home automation devices, and a multitude of other uses making it the ultimate industrial and residential control system. Control 9™ can manage all aspects of automation systems, each with different applications.



The Control 9™ Octal Serial Port Hub has 8 downstream asynchronous serial ports from 1 upstream port.

Pragmatic Goes Green

Pragmatic has always designed highly efficient audio/visual products, but did you know they are also environmentally friendly?

Not only does Pragmatic reduce the amount of energy lost to heat, but it also reduces the amount of resources used in its designs. By being highly efficient, Pragmatic can use less metals, especially in the heat

sink.

One great example of how Pragmatic beats the competitions is in its MCA 1248: 12-Channel Audiophile Quality Amplifier. The MCA 1248 weighs approximately 10 lbs, less than 1/7 of the weight of its biggest competitor at 72 lbs. In addition, its competitor uses more copper, sheet metal, iron, and aluminum, not to mention it requires more energy and produces excessive

amounts of heat.

So Pragmatic is dedicated to saving green, not just for the consumer, but for the environment as well.

Inside this issue:

Stereo 48 Watt In-Wall Amp	2
PHA Series Expands	2
Company Profile	2

Powerful and Efficient 48 Watt In-Wall Amplifier

The SIWA-248 is another advancement in Pragmatic's HideAway™ series of audio components, which offers the most compact and efficient designs. The HideAway™ series PreAmplifier 9 is a compact, fixed gain, low noise, high dynamic range, and high signal-to-noise ratio preamplifier. The miniature yet powerful package delivers high performance and quality at an affordable price.

Most modern audio sources such as computer sound

card outputs, portable CD players, MP3 players, satellite radio receivers, and many others, have very low-level audio output. The level is usually insufficient in producing normal audio output from amplifiers. The PreAmplifier 9 offers a fixed gain block between these sources with extremely low noise and very little distortion. PreAmplifier 9 produces unexpected sound depth and musical clarity despite low-level audio output from

the audio source.

The preamplifier accepts line level signals on a 3.5 mm stereo input jack and produces amplified signals on a 3.5 mm stereo output jack. The PreAmplifier 9 is low power and operates on a 7.5 V DC. The standard unit is available with 8.1 dB gain, but custom configurations are available with any desired gain up to 36 dB.



Innovators in Wired and Wireless Systems

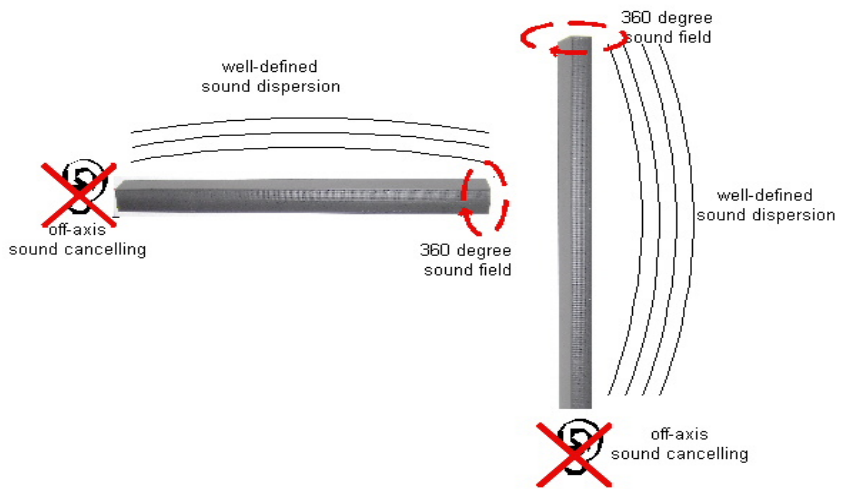
Pragmatic Communications Systems, Inc. is a Silicon Valley-based company established in 1994 to design, develop and produce a variety of innovative products for wireless audio, video and data communications. The majority of the company's products up until 1997 were designed for industrial and commercial applications, after which Pragmatic branched into the consumer market. The success of the older products led to a strong and dynamic technology base, which fulfills Pragmatic's philosophy to use its technologies to solve long unresolved technical problems. This belief has been applied to a new generation of Pragmatic products such as PADST™, DMS™, CATS™, True Music™ wireless hi-fi system, and True View™ wireless video system.

PHA Series of Line Array Speakers Expands

The PHA line of speakers now comes in five different sizes: PHA-4, PHA-8, PHA-16, PHA-25, and PHA-48. The variety of sizes creates many new and exciting applications, including plasma and LCD screens in digital signage and mounting on walls or ceilings. The design of the drivers enables a well-defined dispersion pattern with no hot spots.

When the speaker is positioned horizontally, the signal will drop-off dramatically off-axis while maintaining a very uniform sound field in the vertical dimension. If mounted vertically, it offers a uniform sound field 360 degrees around the speaker, making it an ideal unit for mounting in public venues.

There are numerous possible applications for the new PHAs including hotels, restaurants, theme parks, fitness clubs, museums, shopping malls, department stores, airports, train stations, schools, col-



The design of the drivers creates a well-defined dispersion pattern.

lege campuses, houses of worship, and home theater applications in residential markets. The linear style of the speakers make them more attractive and less obtrusive compared to traditional speakers.

The speakers integrate seamlessly into any environment with a

protective metal grill in silver, white, black, and other custom colors. Additional options include to integrated amplifiers, such as the mono-block amplifiers: MBA-120 and MBA148, the PADS amplifiers: PA-15R, PA-24R with CAT5 cable interface, or a 70V amplifier system.