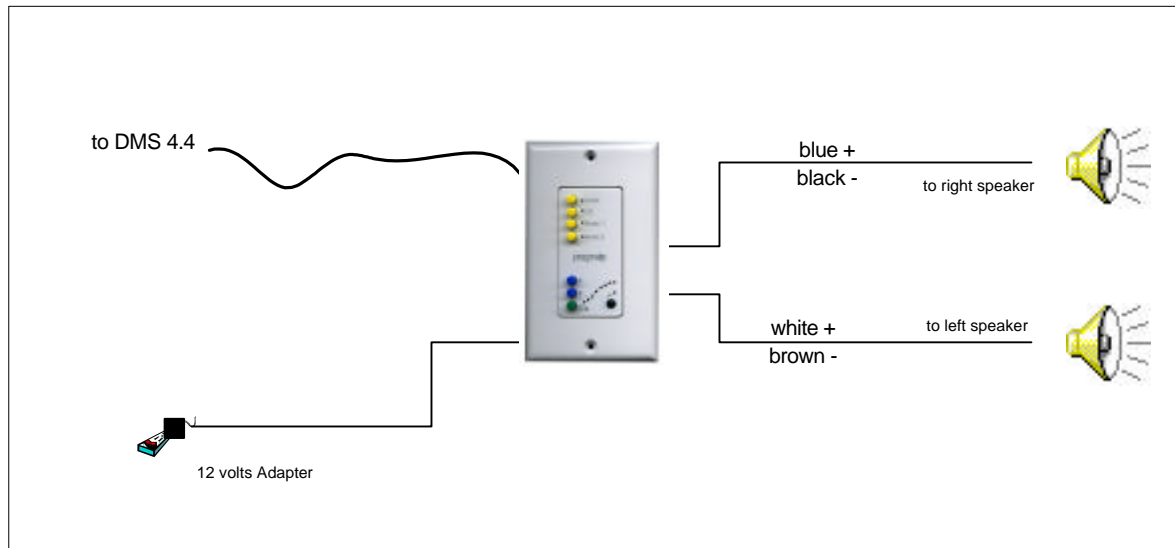


IWA-KP OPERATION MANUAL



- 1) Set-up the equipment as shown above in the diagram.
- 2) Observe polarity when connecting the speakers.
- 3) Be sure to use the supplied power supply. Usage of different power supply will void warranty.
- 4) You may remove the face plate and j-box to mount the amplifier in existing wall. Just make sure to observe the polarity of signals and cables.
- 5) Congratulations ! You have just installed one of the best amplifiers available in the market today. Enjoy your music.....