



PRAGMATIC COMMUNICATIONS

"Affordable Elegance" Product Line

Twisted Pair Audio



SuperTranz™ circuit stereo audio system

Do you have a need to send high quality stereo audio signals on standard twisted pair wires?

Pragmatic has the answer. The HideAway™ series TPA™ twisted pair audio is the ideal choice for an affordable and elegant solution. The line-level stereo audio signals can now be transmitted and received using

simple twisted pair wires. The remote TPA™ receiver can use the IWA™ (In-wall amplifier) or the SAA™ (Stereo Audio Amplifier) from Pragmatic to power the in-wall or floor standing speakers.

The SuperTranz™ circuit eliminates ground loops and noise pick up. It also provides a robust signal for amplification. The system provides true plug and play simplicity and there is no need for manual gain adjustment on the receiver. This is *the* low cost and better performance alternative to other balanced audio line drivers and receivers on the market.

The transmitter and receiver units have a standard RJ-45 plug for twisted pair wire interface, pair of standard phono plugs for stereo line-level audio signals and a 12 VDC power connector.

product specifications

Audio signal-to-noise: > 96 dB	Power supply rejection: > 84 dB
Audio bandwidth: 20 KHz	Audio distortion: < 0.1%
Channel separation: > 78 dB	Power: 20 mA @ 12 VDC
Operating temp. -40 deg. to + 85 deg.	Size: 2.4"(w) x 1.6"(h) x 1"(d)
Warranty 6 years	Weight: 1.2 oz.



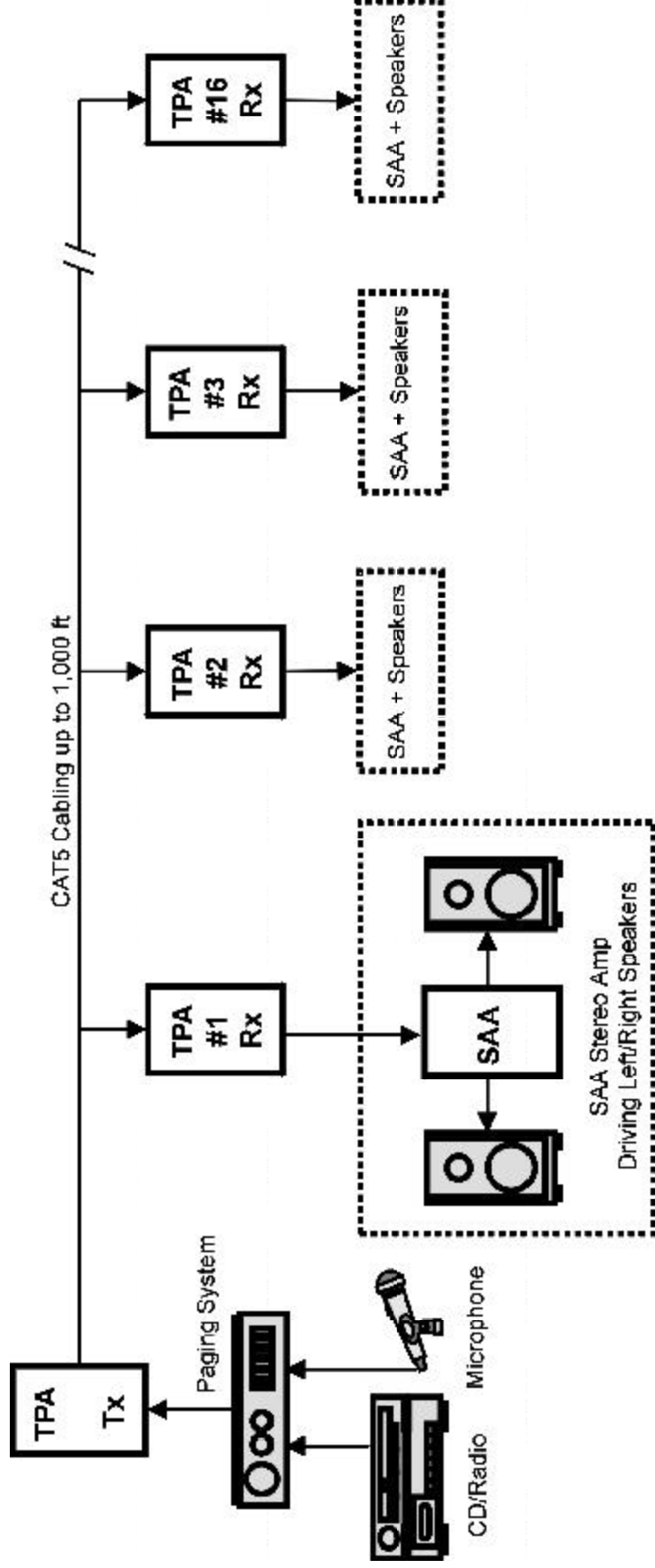
PRAGMATIC COMMUNICATIONS SYSTEMS INC.

544 E. WEDDELL DRIVE SUITE 8 SUNNYVALE, CA 94089

(408) 542 0330 TEL (408) 542 0339 FAX

website: <http://www.wireless-experts.com>





Pragmatic's TPA (Twisted Pair Audio) is comprised of a transmitter (Tx) and Receiver (Rx). A single transmitter can drive up to 16 receivers with a combined transmission length of up to 1,000 feet.

In this particular configuration the TPA product is integrated in a music and paging system. The output of each TPA receiver is connected to Pragmatic's SAA Stereo In-Wall Amplifier which in turn drives both the left & right speakers. Each SAA can include rotary volume controls for independent control at each speaker location.

Distributed Stereo & Paging Systems are ideal for use in restaurants, stores, public facilities and homes.

Example Application of a Distributed Stereo and Paging System